

QPD4-25000-50000-20-V

4-Way, 25~50GHz

Features:

- * Small Size
- * Low Insertion Loss

Applications:

- * Amplifiers
- * Mixers
- * Antennas
- * Laboratory Test

Electrical

Frequency:	25~50GHz
Insertion Loss:	2dB max.
Input VSWR:	1.8 max.
Output VSWR:	1.6 max.
Isolation:	15dB min.
Amplitude Balance:	±0.6dB
Phase Balance:	±10°
Impedance:	50Ω
Average Power:	20W max. 1W max. as combiner

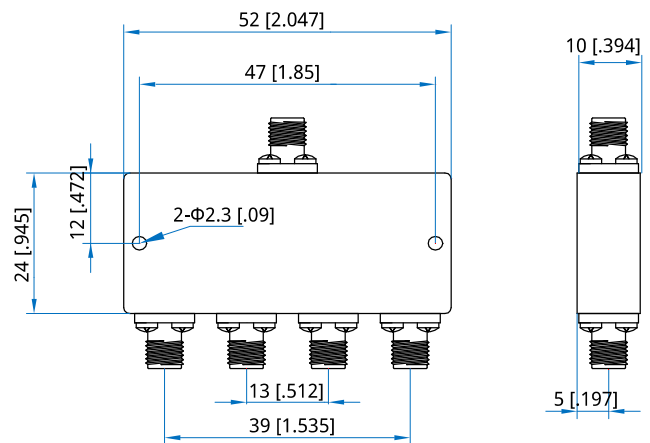
Mechanical

Size*1:	24*52*10mm 0.945*2.047*0.394in
Weight:	80g
Connectors:	1.85mm Female
Mounting:	2-Φ2.3mm through-hole

[1] Exclude connectors.

Environmental

Operation Temperature:	-45~+85°C
------------------------	-----------

Outline Drawings


Unit: mm [in]

Tolerance: ±0.5mm [±0.02in]

How To Order

QPD4-25000-50000-20-V

Customization is available upon request.